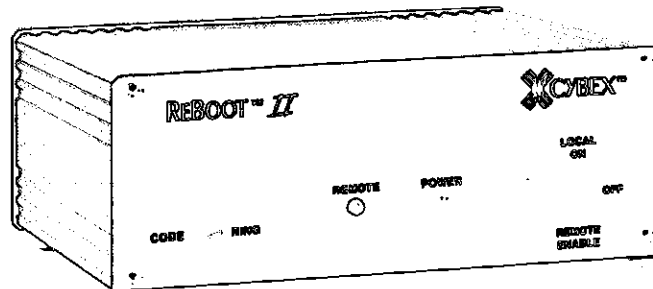


REBOOT II



- Remote Shutdown
- Password Security
- Automatic Recovery

**Reboot up to
ten computers
over the phone!**

Restart your file servers, peripherals and other electrical devices remotely from your touch-tone telephone or Hayes-compatible modem!

Reboot Servers Remotely

When your communication/file servers 'hang' during the night, valuable time and opportunities can be lost until the system is reset in the morning. With ReBoot™ II, you can keep your servers running smoothly even when you are not in the office! One phone call restarts your computer remotely, and gets your system back online.

Password Security

ReBoot II features an enhanced

4-digit access code to provide better protection from hackers and accidental booting. When you call ReBoot II, the system resets only after the correct code is entered. If you don't need security, just flip the front panel switch to put ReBoot II into ring mode. Your computer will automatically restart after the number of rings you select.

Restart Multiple Devices From One Telephone Line

Chain ReBoot II units together on one phone line to restart multiple devices. Each unit is preconfigured with a different access code, so you can choose the device to restart. Up to 10 devices can be restarted with one phone call.

Local Control

A front panel switch lets you control how your system operates. In LOCAL ON position, ReBoot II performs as a power switch for daytime use. Use the REMOTE ENABLE position to restart your computer from the telephone.

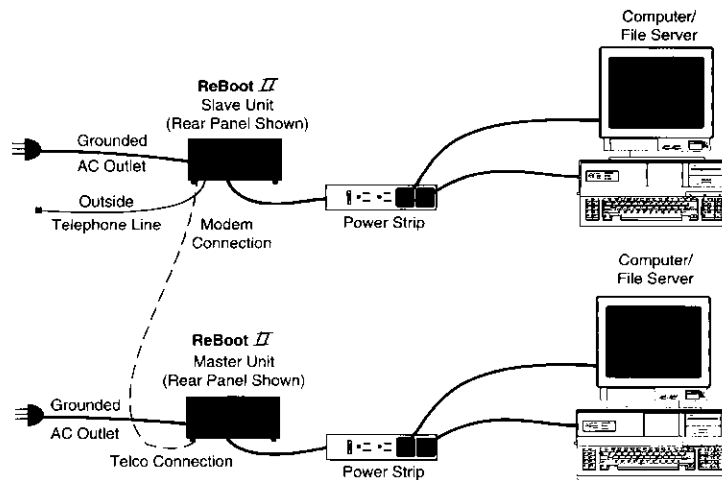
ReBoot II is available in domestic and international versions.



REBOOT II

Functional Diagram

**Chain
up to 10
ReBoot units
on one
phone line!**



| Ordering Information / Ratings | | |
|--------------------------------|---|--------------------------------------|
| Model | RB2-NB | RB2G-0 |
| Application | USA Canada | Europe South America Australia |
| Voltage Rating | 100-120 VAC 60 Hz | 200-240 VAC 50/60 Hz |
| Fuse | 10 Ampere 3AG fast-blow | 6.3 Ampere 5 x 20 mm fast blow |
| Power Cord | IEC 320 female to male NEMA 5-15P 3-prong grounded plug | Contact Distributor |
| Input Connector | IEC 320 male jack | |
| Output Connector | NEMA 5-15R receptacle | IEC 320 female receptacle |
| Approvals | USA/Canada Contact factory | Contact distributor |

Specifications

Size: 7" wide x 2 5/8" high x 4 5/8" long / 178 x 67 x 118 mm

Weight: 2.1 pounds / 1 kilogram

Shipping Weight: 3.6 pounds / 1.6 kilograms

Telephone Connection: RJ-11 jack

Ringer Equivalence of External Load: > 0.2B (if internal load is disabled)

Jumper Selectable Options

Ring Count: 3 (default), 5, 9 rings

Turn-Off Time: 34 (default), 68, 136 seconds

Ringer Equivalence: 1.1B (default)

Load Number: 6 (default)

Cascade Operation: Master (default), slave

Access Code: Contact factory

Hayes is a registered trademark of Hayes Microcomputer Products Inc. ReBoot, RB2, RB2G and Cybex are trademarks of Cybex Corporation.

©Copyright 1994 by Cybex Corporation.

CYBEX™
4912 Research Drive
Huntsville, Alabama 35805 USA
205/430-4000 Fax 205/430-4030